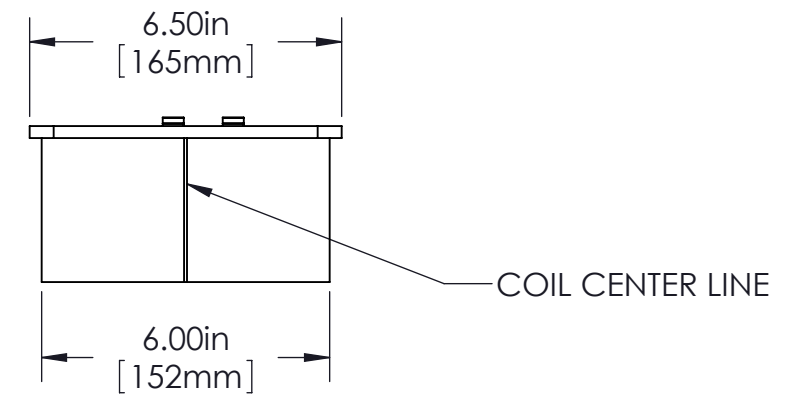
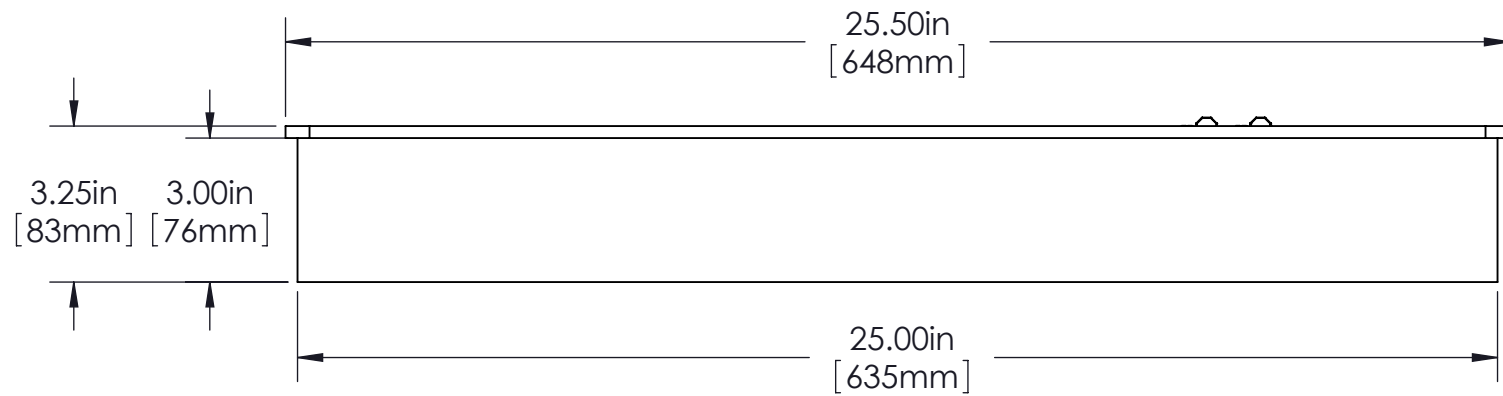
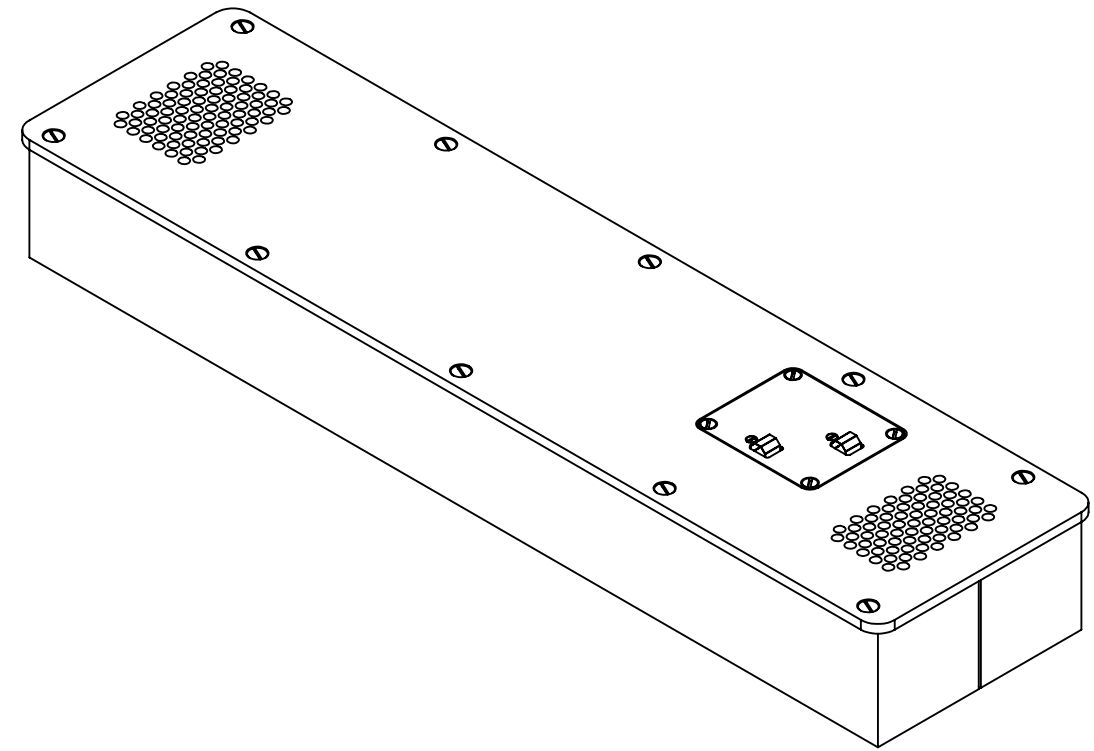
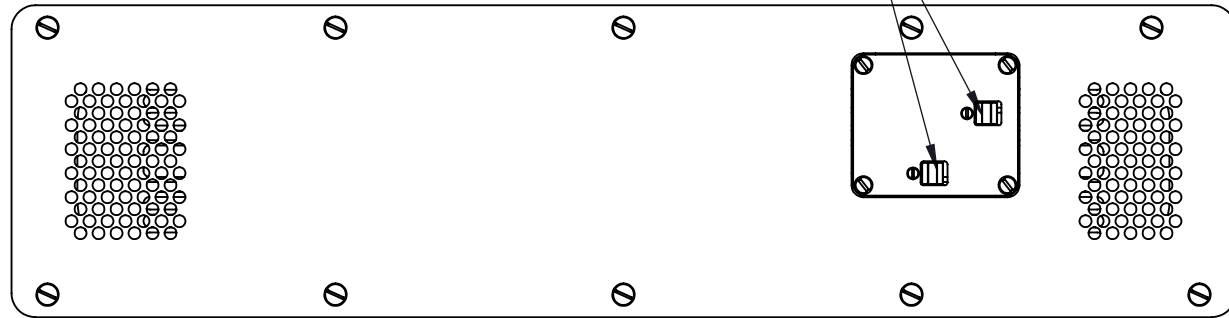


HANDS FREE
POWER CONNECTION



THIS PRINT IS THE PROPERTY OF
PILLAR TECHNOLOGIES
AND IS LOANED TO THE RECIPIENT SUBJECT TO
RETURN UPON DEMAND. ITS CONTENTS ARE
CONFIDENTIAL AND MUST NOT BE COPIED OR
SUBMITTED TO OUTSIDE PARTIES FOR
USE OR EXAMINATION

PILLAR TECHNOLOGIES <i>An ITW Company</i> <small>475 INDUSTRIAL DRIVE HARTLAND, WI 53029 (262) 912-7200</small>	REF DWGS BG2074-4	
	FIRST USED ON	
	DATE 8-14-12	DRAWN BY EJU
	TITLE OUTLINE DRAWING UNIVERSAL COIL I-FOILER	
MATL	DWG NO G2107-2	REV -
SPEC	SCALE 1:4	
FINISH SPEC	SHEET 1 OF 1	

REV	DESCRIPTION	APP'D	DATE
REVISIONS			